

# **ILLUSTRATED PARTS BREAKDOWN**

**PARTNER**

**13.5 HP, 42" MOWER DECK**

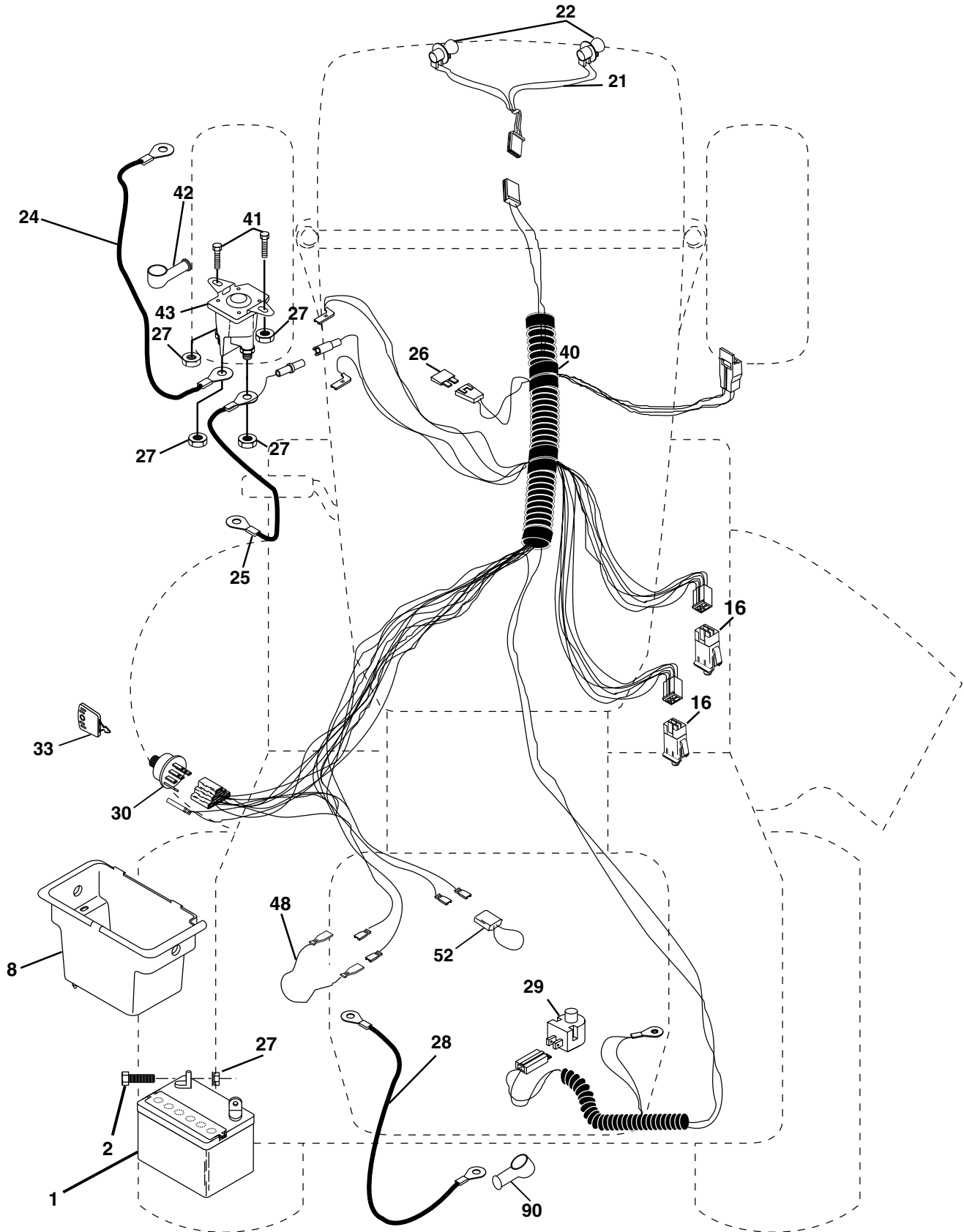
**LAWN TRACTOR**

**MODEL NUMBER P135107 (P135107A)**

**PRODUCT NUMBER 964 77 17-01**

# REPAIR PARTS

TRACTOR - - MODEL NUMBER P135107 (P135107A), PRODUCT NO. 964 77 17-01  
ELECTRICAL



# REPAIR PARTS

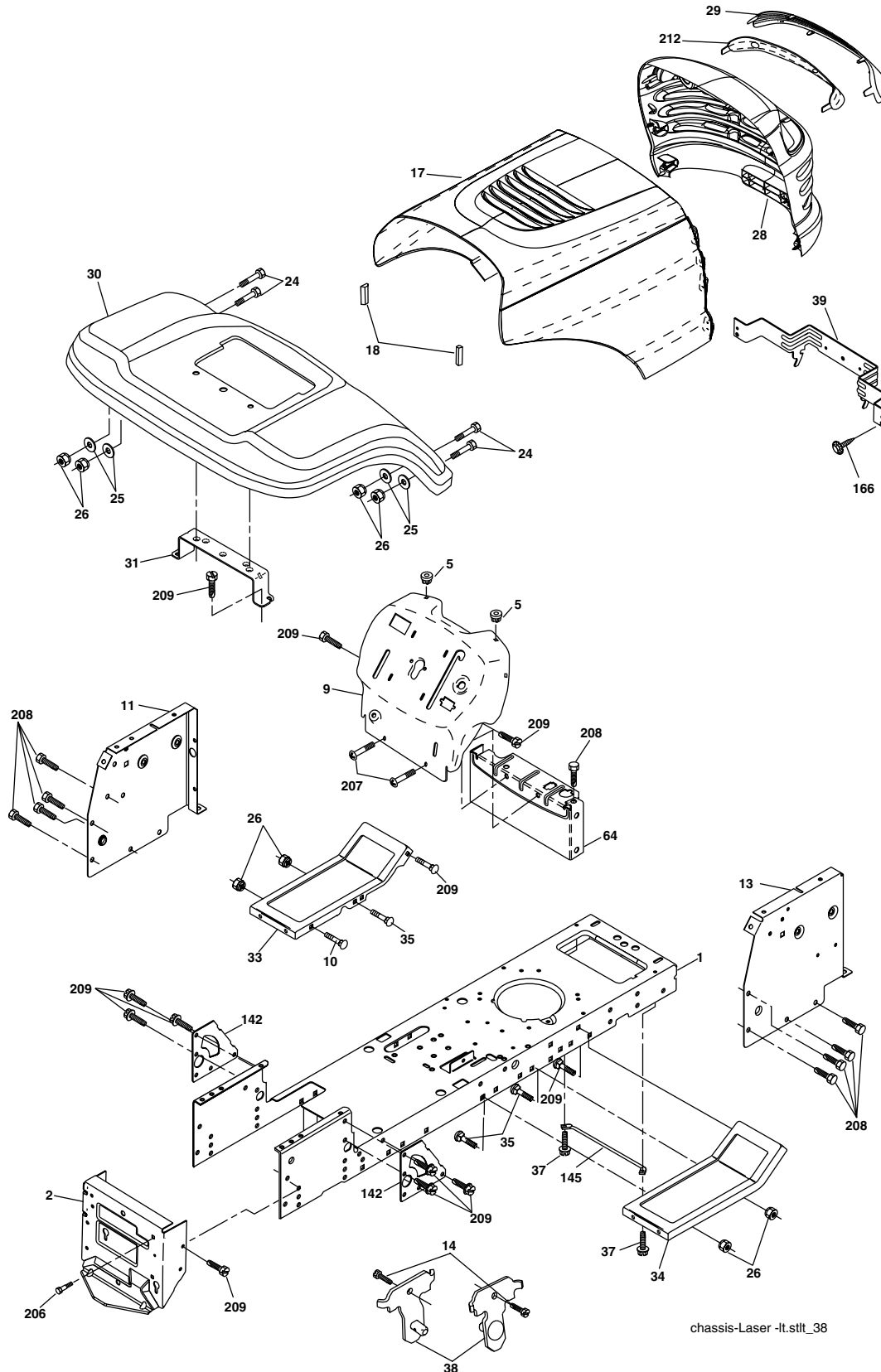
TRACTOR - - MODEL NUMBER P135107 (P135107A), PRODUCT NO. 964 77 17-01  
ELECTRICAL

| KEY<br>NO. | PART<br>NO.  | DESCRIPTION                  |
|------------|--------------|------------------------------|
| 1          | 532 16 34-65 | Battery 12 Volt 25 Amp       |
| 2          | 874 76 04-12 | Bolt Hex Hd 1/4-20 unc x 3/4 |
| 8          | 532 17 66-89 | Case Battery Mech Hiinge     |
| 16         | 532 17 61-38 | Switch Interlock Push-In     |
| 21         | 532 17 56-88 | Harness Asm Light W/4152j    |
| 22         | 532 00 41-52 | Bulb Light #1156             |
| 24         | 532 12 47-80 | Cable Battery 6 Ga. 11"red   |
| 25         | 532 14 61-47 | Cable Battery                |
| 26         | 532 17 51-58 | Fuse                         |
| 27         | 873 51 04-00 | Nut Keps Hex 1/4-20 Unc      |
| 28         | 532 12 47-73 | Cable Ground 6 Ga 12"black   |
| 29         | 532 12 13-05 | Switch Plunger Nc Gray       |
| 30         | 532 17 55-66 | Switch Ign                   |
| 33         | 532 14 04-01 | Key Ign                      |
| 40         | 532 17 97-20 | Harness Ign                  |
| 41         | 871 11 04-08 | Bolt Blk Fin Hex 1/4-20      |
| 42         | 532 13 15-63 | Cover Terminal Red           |
| 43         | 532 17 88-61 | Solenoid                     |
| 48         | 532 14 08-44 | Adapter Ammeter              |
| 52         | 532 14 19-40 | Protection Wire Loop         |
| 90         | 532 18 04-49 | Cover Terminal Battery       |

**NOTE:** All component dimensions given in U. S.  
inches 1 inch = 25.4 mm.

# REPAIR PARTS

TRACTOR - - MODEL NUMBER P135107 (P135107A), PRODUCT NO. 964 77 17-01  
CHASSIS



chassis-Laser -It.stlft\_38

# REPAIR PARTS

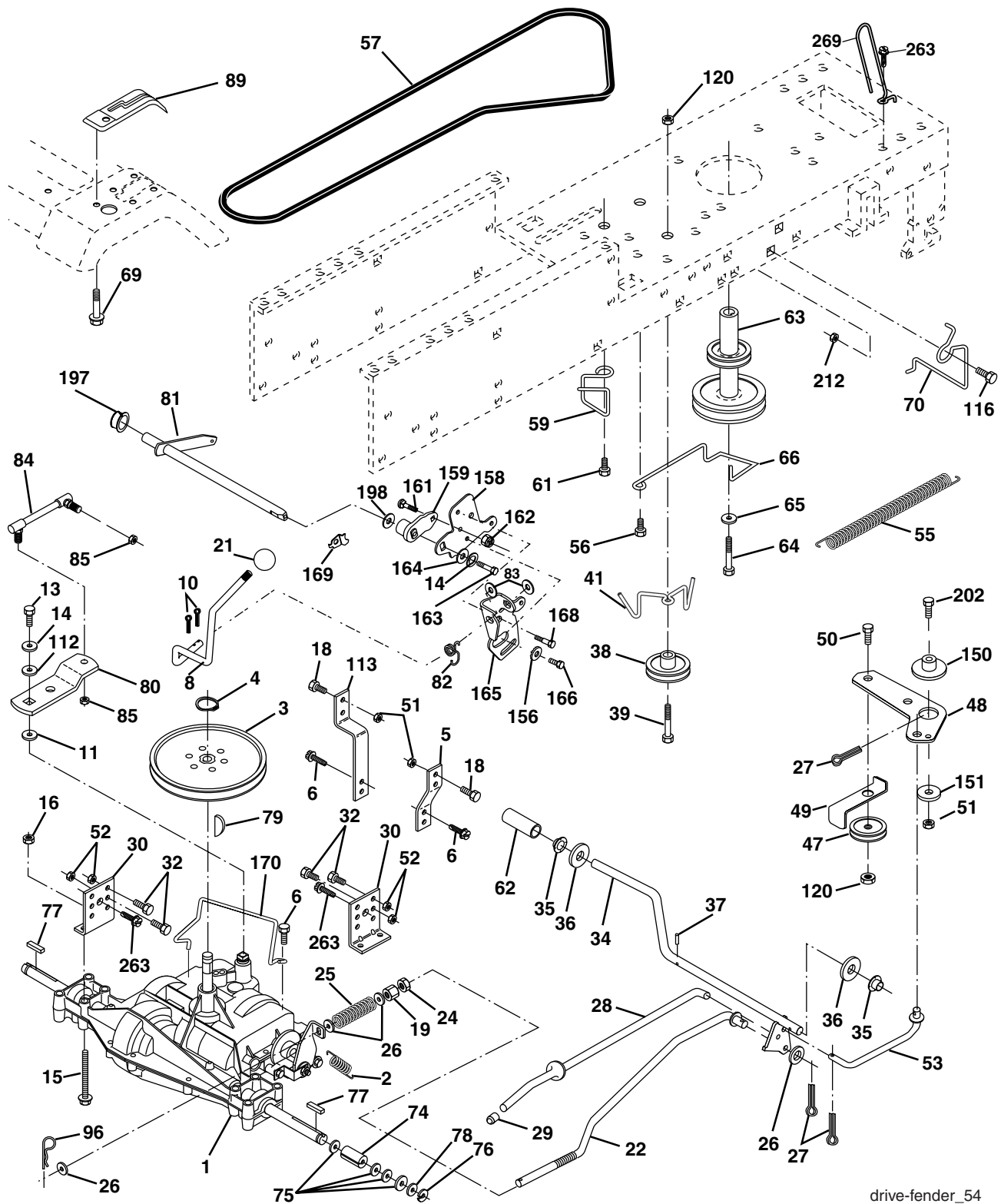
TRACTOR - - MODEL NUMBER P135107 (P135107A), PRODUCT NO. 964 77 17-01  
CHASSIS

| KEY NO. | PART NO.     | DESCRIPTION                      |
|---------|--------------|----------------------------------|
| 1       | 532 17 46-19 | Chassis                          |
| 2       | 532 17 65-54 | Drawbar                          |
| 5       | 532 15 52-72 | Bumper Hood Dash                 |
| 9       | 532 18 52-74 | Dash                             |
| 10      | 872 14 06-08 | Bolt Rdhd Sqnk 3/8-16unc x 1     |
| 11      | 532 17 49-96 | Panel Dash LH                    |
| 13      | 532 18 17-19 | Panel Dash RH                    |
| 14      | 817 49 06-08 | Screw Thdrol 3/8-16 x 1/2        |
| 17      | 532 18 29-07 | Hood                             |
| 18      | 532 18 49-21 | Bumper Hood                      |
| 24      | 874 78 06-16 | Bolt Fin Hex 3/8-16unc x 1 Gr. 5 |
| 25      | 819 13 13-12 | Washer 13/32 x 13/16 x 12 Ga.    |
| 26      | 873 80 06-00 | Nut Lock Hex w/Ins 3/8-16 unc    |
| 28      | 532 17 97-49 | Grille/Lens Asm                  |
| 29      | 532 18 27-18 | Lens Grille                      |
| 30      | 532 17 30-26 | Fender                           |
| 31      | 532 13 66-19 | Bracket Fender Repl 109873x      |
| 33      | 532 18 25-07 | Footrest Pnt LH                  |
| 34      | 532 18 25-08 | Footrest Pnt RH                  |
| 35      | 872 11 06-06 | Bolt Rdhd Sht Sqnk 3/8-16 X3/4   |
| 37      | 817 49 05-08 | Screw Thdrol 5/16-18 x 1/2 Tyt   |
| 38      | 532 17 57-10 | Bracket Asm Pivot Mower Rear     |
| 39      | 532 17 47-14 | Bracket Pivot Laser              |
| 64      | 532 15 47-98 | Dash Lower STLT                  |
| 142     | 532 17 57-02 | Plate Reinforcement STLT         |
| 145     | 532 15 65-24 | Rod Pivot Chassis/Hood           |
| 166     | 532 17 18-75 | Screw HWHD Hi-Lo #13-16 x 3/4    |
| 206     | 532 17 01-65 | Bolt Shoulder 5/16-18            |
| 207     | 817 67 05-08 | Screw Thdrol 5/16-18 x 1/2       |
| 208     | 817 67 06-08 | Screw Thdrol 3/8-16 x 1/2        |
| 209     | 817 00 06-12 | Screw Hex Wsh Thdr 3/8-16 x 3/4  |
| 212     | 532 17 51-43 | Insert Lens Reflective           |

**NOTE:** All component dimensions given in U.S. inches  
1 inch = 25.4 mm.

# REPAIR PARTS

TRACTOR - - MODEL NUMBER P135107 (P135107A), PRODUCT NO. 964 77 17-01  
DRIVE



drive-fender\_54

# REPAIR PARTS

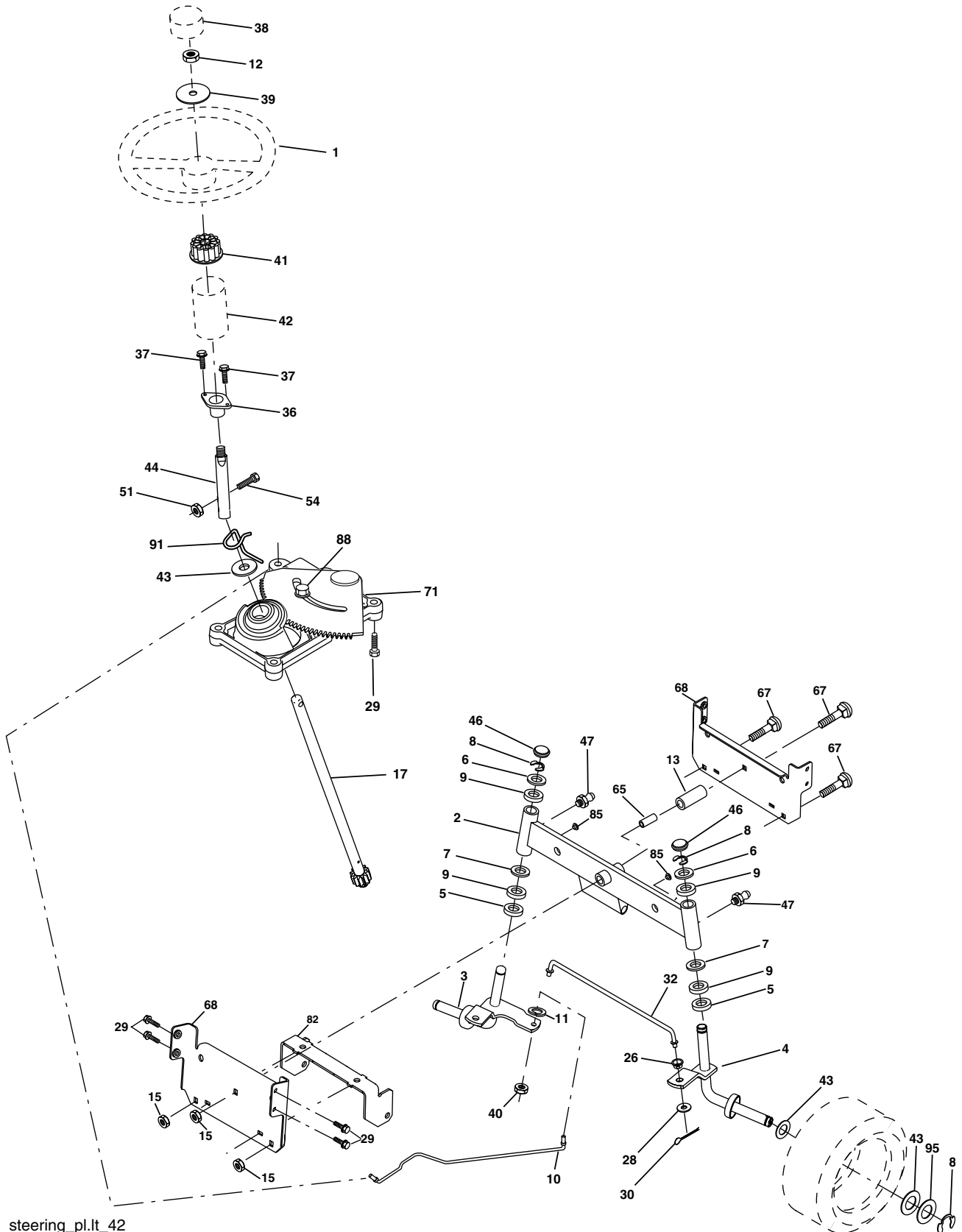
## TRACTOR - - MODEL NUMBER P135107 (P135107A), PRODUCT NO. 964 77 17-01 DRIVE

| KEY NO. | PART NO.     | DESCRIPTION  | KEY NO. | PART NO.     | DESCRIPTION                          |
|---------|--------------|--|---------|--------------|--------------------------------------|
| 1       | -----        | Transaxle, Peerless 206-545C (Order parts from transaxle manufacturer) | 64      | 532 17 39-37 | Bolt Hex 7/16-20 x 4 x Gr. 5-1.5 THR |
| 2       | 532 14 66-82 | Spring Return Brake T/a Zinc   | 65      | 810 04 07-00 | Washer Lock Hvy Hlcl Spr 7/16        |
| 3       | 532 12 36-66 | Pulley Transaxle 18" tires   | 66      | 532 15 47-78 | Keeper Belt Engine Foolproof         |
| 4       | 812 00 00-28 | Ring Retainer # 5100-62  | 69      | 532 14 24-32 | Screw Hex Wsh Hi-Lo 1/4-1/2 unc      |
| 5       | 532 12 15-20 | Strap Torque 30 Degrees  | 70      | 532 18 02-18 | Guide Belt Mower Drive RH            |
| 6       | 817 00 05-12 | Screw 5/16-18 x 3/4  | 74      | 532 13 70-57 | Spacer Axle                          |
| 8       | 532 16 56-19 | Rod Shifter Fender Adj Lt  | 75      | 532 12 17-49 | Washer 25/32 x 1 1/4 x 16 Ga.        |
| 10      | 876 02 04-16 | Pin Cotter 1/8 x 1 Cad   | 76      | 812 00 00-01 | E-ring #5133-75                      |
| 11      | 532 10 57-01 | Washer Plate Shf 388 Sq Hole   | 77      | 532 12 35-83 | Key Square 2 0 x 1845/ 1865          |
| 13      | 874 55 04-12 | Bolt 1/4-28 unf Gr. 8 W/Patch  | 78      | 532 12 17-48 | Washer 25/32 x 1-5/8 x 16 Ga.        |
| 14      | 810 04 04-00 | Washer Lock Hvy Helical 1/4  | 79      | 532 12 50-96 | Key Woodruff                         |
| 15      | 874 49 05-44 | Bolt Hex FLGHD 5/16-18 Gr. 5   | 80      | 532 13 14-86 | Arm Shift                            |
| 16      | 873 80 05-00 | Nut Lock   | 81      | 532 16 55-94 | Shaft Asm Cross Tapered 20"t         |
| 18      | 874 78 06-16 | Bolt, Fin Hex 3/8-16 unc x 1 Gr. 5                                     | 82      | 532 12 37-82 | Spring Torsion T/a                   |
| 19      | 873 80 06-00 | Nut Lock 3/8-16 Unc  | 83      | 819 17 12-16 | Washer 17/32 x 3/4 x 16 Ga.          |
| 21      | 532 10 69-33 | Knob   | 84      | 532 16 62-28 | Link Transaxle                       |
| 22      | 532 13 08-04 | Rod Brake Blk Zinc 26 840  | 85      | 532 15 03-60 | Nut Lock Center 1/4 - 28 FNTHD       |
| 24      | 873 35 06-00 | Nut Hex Jam 3/8-16 unc   | 89      | 532 18 30-43 | Console Shift LT                     |
| 25      | 532 10 68-88 | Spring Rod Brake 2 00 Zinc   | 96      | 532 12 47-88 | Retainer Spring                      |
| 26      | 819 13 13-16 | Washer 13/32 x 13/16 x 16 Ga.  | 112     | 819 09 12-10 | Washer 9/32 x 3/4 x 10 Ga.           |
| 27      | 876 02 04-12 | Pin Cotter 1/8 x 3/4 Cad   | 113     | 532 12 72-85 | Strap Torque Lh                      |
| 28      | 532 17 57-65 | Rod Brake Parking  | 116     | 872 14 06-08 | Bolt Rdhd Sq Neck 3/8-16 x 1.00      |
| 29      | 532 07 16-73 | Cap Brake Parking  | 120     | 873 90 06-00 | Nut Lock Fig 3/8-16                  |
| 30      | 532 17 49-73 | Bracket Mtg Transaxle  | 150     | 532 17 54-56 | Spacer Retainer                      |
| 32      | 874 76 05-12 | Bolt Hex Hd 5/16-18 unc x 3/4  | 151     | 819 13 32-10 | Washer 13/32 x 2 x 10                |
| 34      | 532 17 55-78 | Shaft Asm Pedal Foot   | 156     | 532 16 60-02 | Washer Srrted 5/16 ID x 1.125        |
| 35      | 532 12 01-83 | Bearing Nylon Blk 629 Id   | 158     | 532 16 55-89 | Bracket Shift Mount                  |
| 36      | 819 21 16-16 | Washer 21/32 x 1 x 16 Ga.  | 159     | 532 18 39-00 | Hub Tapered Flange Shift It          |
| 37      | 532 12 49-63 | Pin Roll 3/16 x 1"   | 161     | 872 14 04-06 | Bolt Rdhd Sqnk 1/4-20 x 3/4 Gr. 5    |
| 38      | 532 17 91-14 | Pulley Idler Composite   | 162     | 873 68 04-00 | Nut Crownlock 1/4-20 unc             |
| 39      | 872 11 06-22 | Bolt RDHD 3/8-16 unc x 2-3/4 Gr. 5                                     | 163     | 874 78 04-16 | Bolt Hex Fin 1/4-20 unc x 1 Gr. 5    |
| 41      | 532 17 55-56 | Keeper Belt Retainer Idler   | 164     | 819 09 12-10 | Washer 9/32 x 3/4 x 10 Ga.           |
| 47      | 532 12 77-83 | Pulley Idler V Groove Plastic  | 165     | 532 16 56-23 | Bracket Pivot Lever                  |
| 48      | 532 15 44-07 | Bellcrank Asm  | 166     | 817 49 05-10 | Screw 5/16-18 x 5/8                  |
| 49      | 532 12 32-05 | Retainer Belt Style Spring   | 168     | 532 16 54-92 | Bolt Shoulder 5/16-18 x .561         |
| 50      | 872 11 06-12 | Bolt Carr Sh 3/8-16 x 1-1/2 Gr. 5                                      | 169     | 532 16 55-80 | Plate Fastening Lt                   |
| 51      | 873 68 06-00 | Nut Crownlock 3/8-16 unc   | 170     | 532 17 83-94 | Keeper Belt T/A                      |
| 52      | 873 68 05-00 | Nut Crownlock 5/16-18 unc  | 197     | 532 16 96-13 | Nyliner, Snap - in                   |
| 53      | 532 10 57-10 | Link Clutch  | 198     | 532 16 95-93 | Washer, Nyl.                         |
| 55      | 532 10 57-09 | Spring Return Clutch 6 75  | 202     | 872 11 06-14 | Bolt, 3/8 - 16 x 1-3/4 Gr. 5         |
| 56      | 817 06 06-20 | Screw 3/8-16 x 1-1/4   | 212     | 532 14 52-12 | Nut Flange Hex Lock                  |
| 57      | 532 13 08-01 | V-Belt Ground Drive  | 263     | 817 00 06-12 | Screw Hexwsh Thdr 3/8-16 x 3/4       |
| 59      | 532 16 96-91 | Keeper Belt Span Ctr   | 269     | 532 18 24-02 | Guard Muffler OHV B & S RH           |
| 61      | 817 12 06-14 | Screw 3/8-16 x .875  |         |              |                                      |
| 62      | 532 12 48-72 | Cover Pedal Blk Round  |         |              |                                      |
| 63      | 532 18 02-19 | Engine Pulley  |         |              |                                      |

**NOTE:** All component dimensions given in U.S. inches  
1 inch = 25.4 mm

# REPAIR PARTS

TRACTOR - - MODEL NUMBER P135107 (P135107A), PRODUCT NO. 964 77 17-01  
STEERING



steering\_pl.it\_42



# REPAIR PARTS

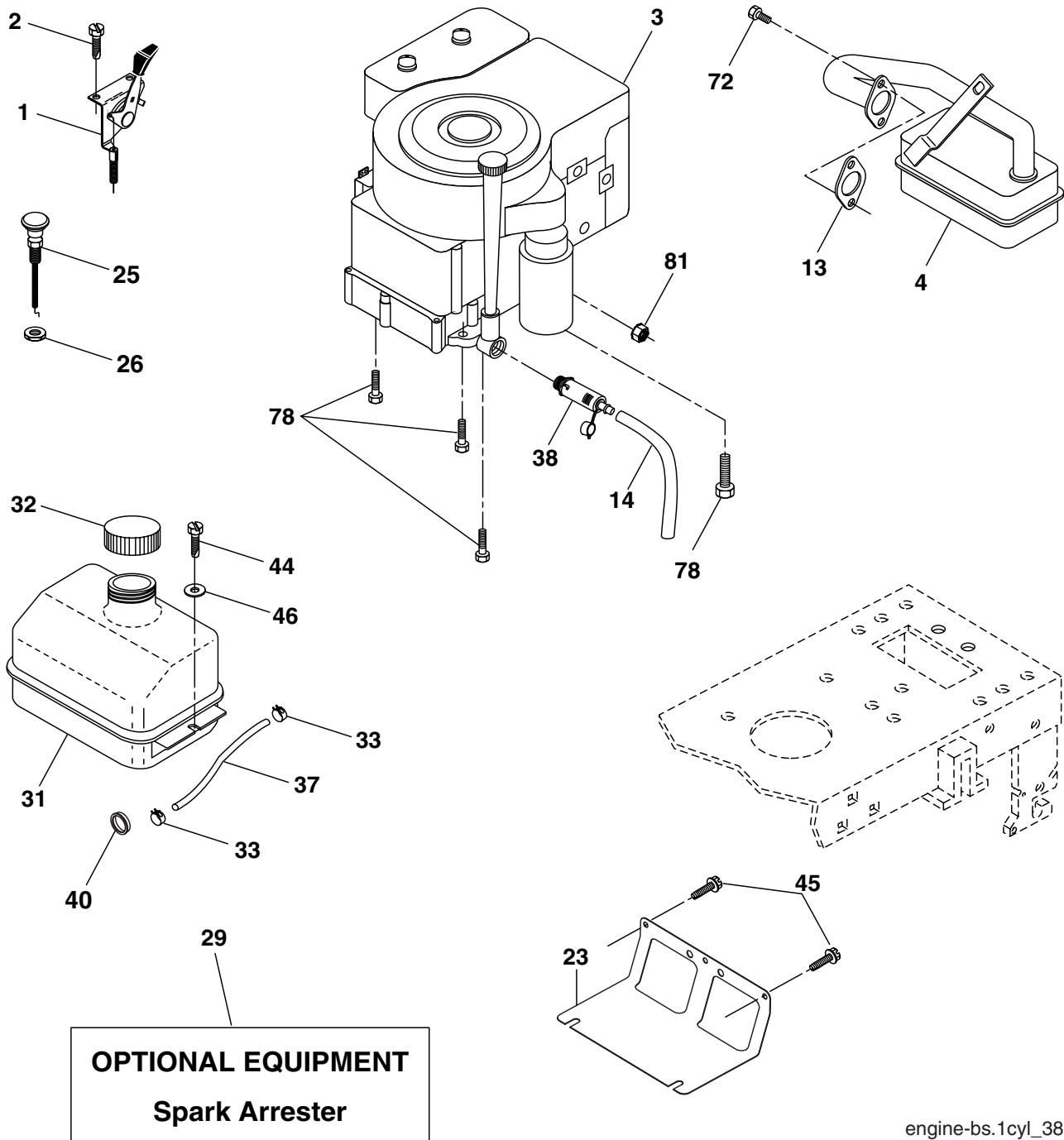
## TRACTOR - - MODEL NUMBER P135107 (P135107A), PRODUCT NO. 964 77 17-01 STEERING

| KEY NO. | PART NO.     | DESCRIPTION                       |
|---------|--------------|-----------------------------------|
| 1       | 532 13 97-68 | Wheel Steering Opp. Sears Blk     |
| 2       | 532 17 51-31 | Axle Asm Fr                       |
| 3       | 532 16 98-40 | Spindle Asm LH                    |
| 4       | 532 16 98-39 | Spindle Asm RH                    |
| 5       | 532 12 49-31 | Bearing Race Thrust Harden        |
| 6       | 532 12 17-48 | Washer 25/32 x 1-5/8 x 16 Ga.     |
| 7       | 819 27 20-16 | Washer 27/32 x 1-1/4 x 16 Ga.     |
| 8       | 812 00 00-29 | Ring Klip #t5304-75               |
| 9       | 532 12 49-37 | Bearing Col Strg Blk              |
| 10      | 532 17 51-21 | Link Drag                         |
| 11      | 810 04 06-00 | Washer Lock Hvy Hlcl Spr 3/8      |
| 12      | 873 94 08-00 | Nut Hex Jam Toplock 1/2-20 unf    |
| 13      | 532 13 65-18 | Spacer Brace Axle                 |
| 15      | 532 14 52-12 | Nut Hexflange Lock                |
| 17      | 532 18 06-41 | Shaft Asm Strg                    |
| 26      | 532 12 68-47 | Bushing Link Drag Blk LR          |
| 28      | 819 13 14-16 | Washer 13/32 x 7/8 x 16 Ga.       |
| 29      | 817 00 06-12 | Screw 3/8-16 x .75                |
| 30      | 876 02 04-12 | Pin Cotter 1/8 x 3/4 Cad          |
| 32      | 532 13 04-65 | Rod Tie Wire Form 19 75 Mech      |
| 36      | 532 15 50-99 | Bushing Strg Nat .623/.618ld      |
| 37      | 532 15 29-27 | Screw TT #10-32 x 5 x 3/8 Flange  |
| 38      | 532 14 01-75 | Cap Wheel Steer P/L               |
| 39      | 819 18 38-12 | Washer 19/16 ID x 2-3/8 OD 12 Ga. |
| 40      | 873 54 06-00 | Nut Crownlock 3/8-24              |
| 41      | 532 18 67-37 | Adaptor Wheel Strg                |
| 42      | 532 16 96-33 | Boot Shaft Steering               |
| 43      | 532 12 17-49 | Washer 25/32 x 1 1/4 x 16 Ga.     |
| 44      | 532 18 06-40 | Extension Steering                |
| 46      | 532 12 12-32 | Cap Spindle Fr Top Blk            |
| 47      | 532 18 32-26 | Fitting Grease                    |
| 51      | 873 54 04-00 | Nut Crownlock 1/4-28              |
| 54      | 871 13 04-20 | Bolt Hex 1/4-28 unf x 1-1/4 Gr. 8 |
| 65      | 532 16 03-67 | Spacer Brace Axle                 |
| 67      | 872 11 06-18 | Bolt RDHD SQ 3/8-16 unc x 2-1/4   |
| 68      | 532 16 98-27 | Brace Axle                        |
| 71      | 532 17 51-46 | Steering Asm.                     |
| 82      | 532 16 98-35 | Bracket Susp. Chassis Front       |
| 85      | 532 13 38-35 | Fastener Christmas Tree           |
| 88      | 532 17 51-18 | Bolt Shoulder 7/16-20             |
| 91      | 532 17 55-53 | Clip Steering                     |
| 95      | 532 18 89-67 | Washer Harden .793 x 1.637 x 060  |

**NOTE:** All component dimensions given in U.S. inches  
1 inch = 25.4 mm.

# REPAIR PARTS

TRACTOR - - MODEL NUMBER P135107 (P135107A), PRODUCT NO. 964 77 17-01  
ENGINE



# REPAIR PARTS

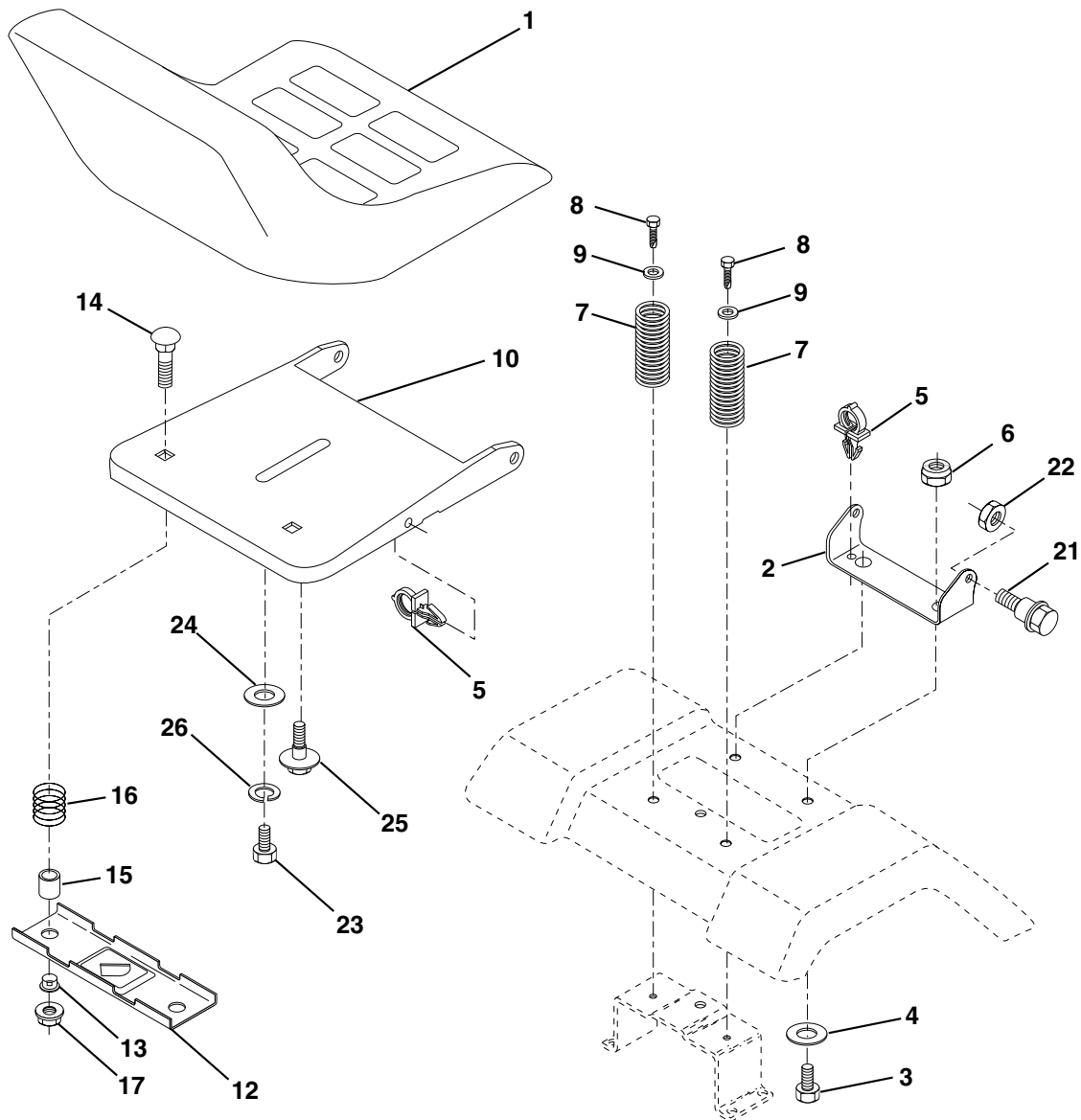
TRACTOR - - MODEL NUMBER P135107 (P135107A), PRODUCT NO. 964 77 17-01  
ENGINE

| KEY NO. | PART NO.     | DESCRIPTION   |
|---------|--------------|---|
| 1       | 532 17 05-51 | Control Th/ch Flag Eec  |
| 2       | 817 72 04-08 | Screw Hex Thd Cut 1/4-20 x 1/2  |
| 3       | -----        | Engine Briggs & Stratton 21B807<br>(Order parts from engine manufacturer) |
| 4       | 532 17 97-58 | Muffler LT B&S 12/12 5 HP   |
| 13      | 532 16 52-91 | Gasket Eng  |
| 14      | 532 14 84-56 | Tube Drain Oil Easy   |
| 23      | 532 16 98-37 | Shield Brn/Dbr Guard  |
| 25      | 532 18 09-45 | Control Choke   |
| 26      | 873 92 06-00 | Nut Keps 3/8-24 unf   |
| 29      | 532 13 71-80 | Kit Spark Arrecter  |
| 31      | 532 18 49-00 | Tank Fuel Front 1.25  |
| 32      | 532 14 05-27 | Cap Asm Fuel W/sym Vented   |
| 33      | 532 12 34-87 | Clamp Hose Blk  |
| 37      | 532 13 70-40 | Line Fuel 20"   |
| 38      | 532 18 16-54 | Plug Drain Oil Easy   |
| 40      | 532 12 40-28 | Bushing Snap Nyl Blk Fuel Line  |
| 44      | 817 67 04-12 | Screw Hexwsh Thdrol 1/4-20 x 3/4  |
| 45      | 817 00 06-12 | Screw Hexwsh Thdrol 3/8-16 x 3/4  |
| 46      | 819 09 14-16 | Washer 9/32 x 7/8 x 16 Ga.  |
| 72      | 532 18 39-06 | Screw Socket Head 5/16-18 x 1   |
| 78      | 817 06 06-20 | Screw 3/8-16 x 1-1/4  |
| 81      | 873 51 04-00 | Nut Keps Hex 1/4-20 unc   |

**NOTE:** All component dimensions given in U.S. inches  
1 inch = 25.4 mm

# REPAIR PARTS

TRACTOR - - MODEL NUMBER P135107 (P135107A), PRODUCT NO. 964 77 17-01  
SEAT



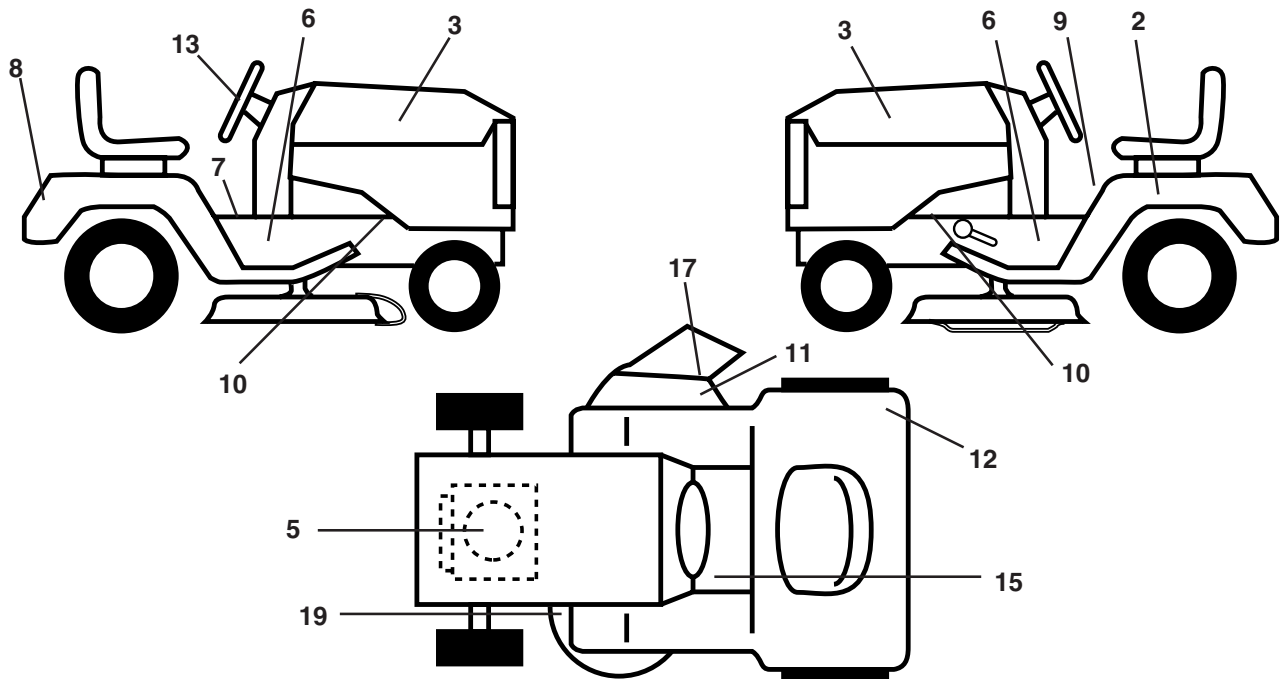
| KEY NO. | PART NO.     | DESCRIPTION                     |
|---------|--------------|---------------------------------|
| 1       | 532 18 87-05 | Seat                            |
| 2       | 532 18 01-66 | Bracket Pivot                   |
| 3       | 871 11 06-16 | Bolt Fin Hex 3/8-16 unc x 1     |
| 4       | 819 13 16-10 | Washer 13/32 x 1 x 10 Ga.       |
| 5       | 532 14 50-06 | Clip Push-In                    |
| 6       | 873 80 06-00 | Nut Lock Hex w/Wsh 3/8-16 unc   |
| 7       | 532 12 41-81 | Spring Seat Cprsn 2 250 Blk Zi  |
| 8       | 817 00 06-16 | Screw 3/8-16 x 1.5              |
| 9       | 819 13 16-14 | Washer 13/32 x 1 x 14 Ga.       |
| 10      | 532 18 01-86 | Pan Seat                        |
| 12      | 532 12 12-46 | Bracket Mounting Switch         |
| 13      | 532 12 12-48 | Bushing Snap Blk Nyl 50 Id      |
| 14      | 872 05 04-12 | Bolt Rdhd Sht Nk 1/4-20 x 1-1/2 |
| 15      | 532 13 43-00 | Spacer Split 28x 96 Yel Zinc    |

| KEY NO. | PART NO.     | DESCRIPTION                       |
|---------|--------------|-----------------------------------|
| 16      | 532 12 12-50 | Spring Cprsn 1 27 Blk Pnt         |
| 17      | 532 12 39-76 | Nut Lock 1/4 Lge Flg Gr. 5 Zinc   |
| 21      | 532 17 18-52 | Bolt Shoulder 5/16-18 Unc -2A     |
| 22      | 873 80 05-00 | Nut Lock Hex W/Insert 5/16-18 unc |
| 23      | 871 11 08-14 | Bolt Hex Black                    |
| 24      | 819 17 19-12 | Washer 17/32 x 1-3/16 x 12 Ga.    |
| 25      | 532 12 70-18 | Bolt Shoulder 5/16-18 x 62        |
| 26      | 810 04 08-00 | Washer Lock Hvy HLCLSPR 1/2       |

**NOTE:** All component dimensions given in U.S. inches.  
1 inch = 25.4 mm

# REPAIR PARTS

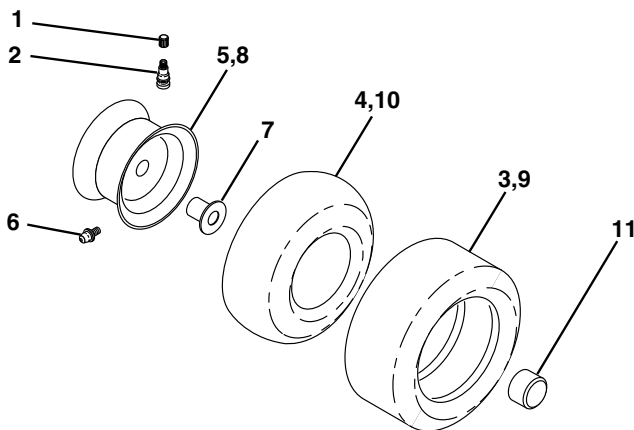
TRACTOR - - MODEL NUMBER P135107 (P135107A), PRODUCT NO. 964 77 17-01  
DECALS



| KEY NO. | PART NO.     | DESCRIPTION                   |
|---------|--------------|-------------------------------|
| 2       | 532 14 50-05 | Decal Bat Dan/Poi P/L Symbols |
| 3       | 532 18 56-46 | Decal Hood                    |
| 5       | 532 18 94-55 | Decal Engine                  |
| 6       | 532 18 56-51 | Decal Chas. Turbo Collection  |
| 7       | 532 14 08-37 | Decal Saddle Brake Parking    |
| 8       | 532 18 89-91 | Decal Fender                  |
| 9       | 532 14 54-98 | Decal Read Owners Manual Syms |
| 10      | 532 15 97-36 | Decal Chassis Hot Muffler     |
| 11      | 532 18 21-66 | Decal Mower Cut finger Symbol |
| 12      | 532 18 04-32 | Decal 100 Db/CE               |

| KEY NO. | PART NO.     | DESCRIPTION                     |
|---------|--------------|---------------------------------|
| 13      | 532 18 56-47 | Decal Strg Wheel Cap            |
| 15      | 532 15 97-37 | Decal Brake/Clutch              |
| 17      | 532 17 91-28 | Decal Deck "B"                  |
| 19      | 532 16 03-96 | Decal V-Belt Sch                |
| --      | 532 16 25-98 | Decal Drawbar Load Limit        |
| --      | 532 13 83-11 | Decal Lift Handle (Lift Handle) |
| --      | 532 18 52-39 | Manual Operator's Euro          |
| --      | 532 18 52-40 | Manual Operator's Scan          |

## WHEELS & TIRES

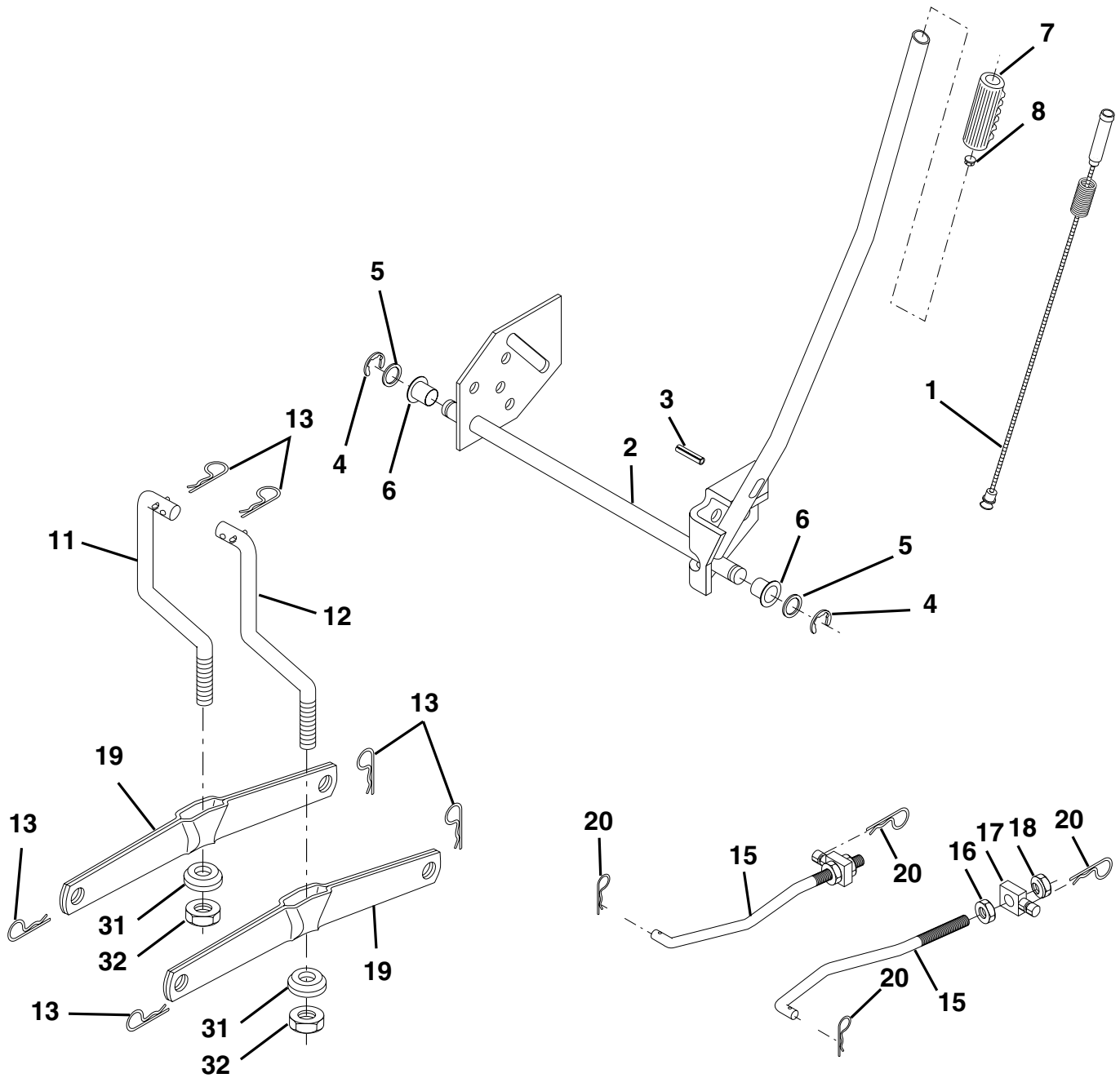


| KEY NO. | PART NO.     | DESCRIPTION                       |
|---------|--------------|-----------------------------------|
| 1       | 532 05 91-92 | Cap Valve Tire                    |
| 2       | 532 06 51-39 | Stem Valve                        |
| 3       | 532 10 62-22 | Tire F Ts 15 X 6 0 - 6 Service    |
| 4       | 532 05 99-04 | Tube Front (Service Item Only)    |
| 5       | 532 12 51-21 | Rim Asm 6" front Yellow Service   |
| 6       | 532 12 49-57 | Fitting Grease (Front Wheel Only) |
| 7       | 532 12 49-59 | Bearing Flange (Front Wheel Only) |
| 8       | 532 12 51-22 | Rim Asm 8" rear Yellow Service    |
| 9       | 532 10 62-68 | Tire R Ts 18 x 9.5-8 C. Service   |
| 10      | 532 12 49-26 | Tube Rear (Service Item Only)     |
| 11      | 532 17 50-39 | Cap Axle Blk 1 50 X 1 00          |

**NOTE:** All component dimensions given in U.S. inches  
1 inch = 25.4 mm

# REPAIR PARTS

TRACTOR - - MODEL NUMBER P135107 (P135107A), PRODUCT NO. 964 77 17-01  
MOWER LIFT



# REPAIR PARTS

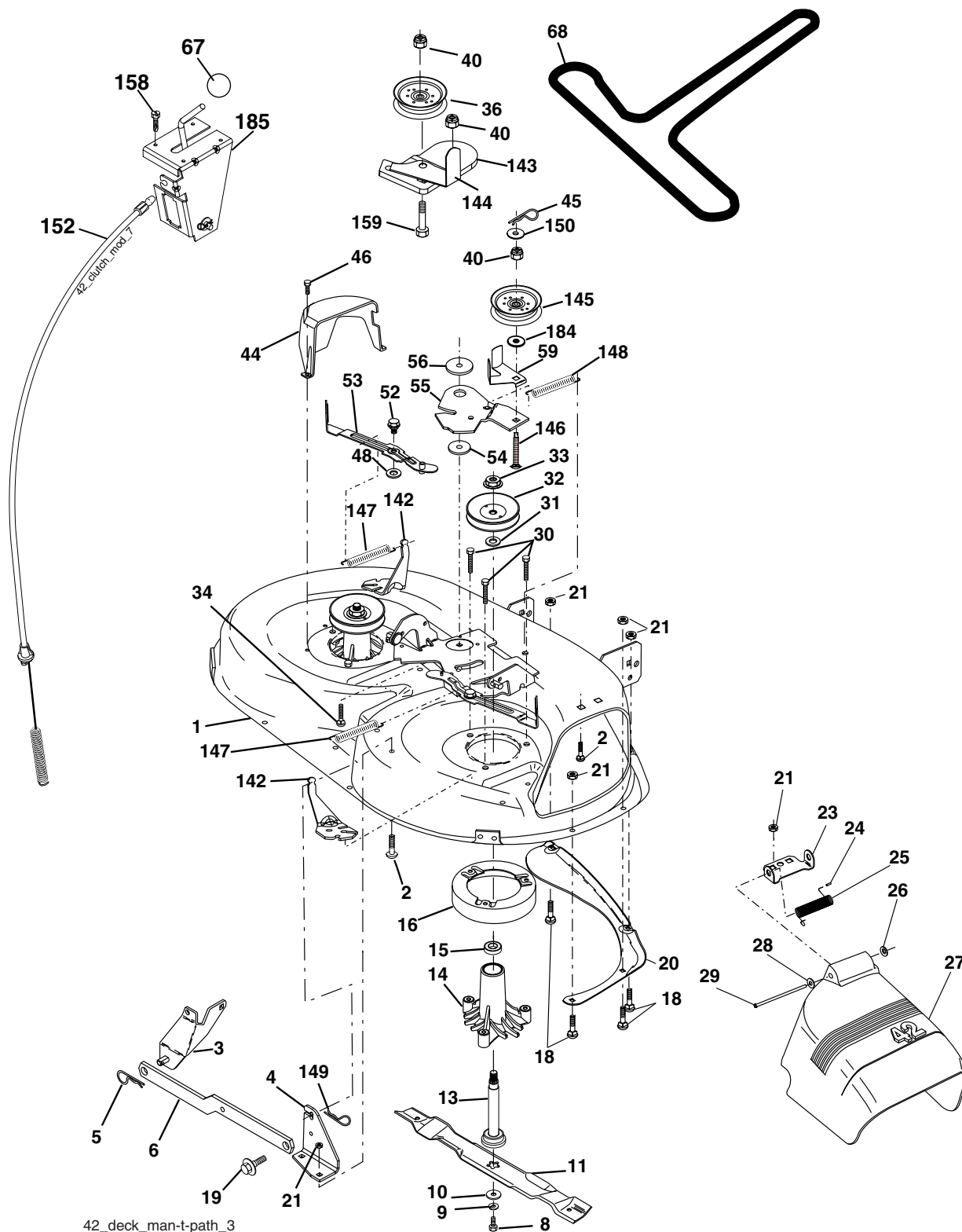
TRACTOR - - MODEL NUMBER P135107 (P135107A), PRODUCT NO. 964 77 17-01  
MOWER LIFT

| KEY NO. | PART NO.     | DESCRIPTION                   |
|---------|--------------|-------------------------------|
| 1       | 532 15 94-60 | Wire Asm Inner W/Plunger      |
| 2       | 532 15 94-71 | Shaft Asm Lift                |
| 3       | 532 10 57-67 | Pin Groove                    |
| 4       | 812 00 00-02 | E Ring #5133-62               |
| 5       | 819 21 16-21 | Washer PLTD 21/32 x 1 x 21Ga. |
| 6       | 532 12 01-83 | Bearing Nylon Blk 629 Id      |
| 7       | 532 10 94-13 | Grip Handle Bicycle Matte Blk |
| 8       | 532 12 45-26 | Button Plunger Black          |
| 11      | 532 13 98-65 | Link Lift LH                  |
| 12      | 532 13 98-66 | Link Lift RH                  |
| 13      | 532 12 46-70 | Retainer Spring               |
| 15      | 532 17 32-88 | Link Front                    |
| 16      | 873 35 08-00 | Nut Jam Hex 1/2-13 unc        |
| 17      | 532 17 56-89 | Trunnion                      |
| 18      | 873 80 08-00 | Nut Lock w/wsh 1/2-13 unc     |
| 19      | 532 13 98-68 | Arm Suspension Rear           |
| 20      | 532 16 35-52 | Retainer Spring               |
| 31      | 532 16 98-65 | Bearing Pvt Lift              |
| 32      | 873 54 06-00 | Nut Crownlock 3/8-24          |

**NOTE:** All component dimensions given in U.S. inches  
1 inch = 25.4 mm

# REPAIR PARTS

TRACTOR - - MODEL NUMBER P135107 (P135107A), PRODUCT NO. 964 77 17-01  
MOWER DECK





# REPAIR PARTS

TRACTOR - - MODEL NUMBER P135107 (P135107A), PRODUCT NO. 964 77 17-01  
MOWER DECK

| KEY NO. | PART NO.     | DESCRIPTION                        | KEY NO. | PART NO.     | DESCRIPTION  |
|---------|--------------|------------------------------------|---------|--------------|--|
| 1       | 532 16 58-92 | Housing Asm Mower 42" T-Path       | 45      | 532 12 47-88 | Spring Retainer 1" Zinc/cad  |
| 2       | 872 14 05-06 | Bolt Rdhd Sqnk 5/16-18unc x3/4     | 46      | 532 13 77-29 | Screw Hex Thd Cut 1/4-20x5/8 T   |
| 3       | 532 13 80-17 | Bracket Asm Fr Sway Bar 38/42      | 48      | 532 13 39-44 | Washer Hardened Smaller  |
| 4       | 532 16 54-60 | Bracket Asm Deck 42" sway Bar      | 52      | 532 13 98-88 | Bolt Shoulder 5/16-18 Unc Blkz   |
| 5       | 532 12 46-70 | Retainer Spring                    | 53      | 532 18 49-07 | Arm Asm Pad Brake  |
| 6       | 532 17 80-24 | Bar Sway Deck                      | 54      | 532 17 85-15 | Washer Hardened  |
| 8       | 532 85 08-57 | Bolt 3/8 - 24 x 1.25 Gr. 8         | 55      | 532 15 50-46 | Arm Idler 42" mower LT/YT  |
| 9       | 810 03 06-00 | Washer Lock Hvy 3/8 Unplated       | 56      | 532 16 57-23 | Spacer Retainer Pm Mower   |
| 10      | 532 14 02-96 | Washer Hard Blade Mower            | 59      | 532 14 10-43 | Guard TUV Idler  |
| 11      | 532 13 89-71 | Blade Mower High Lift              | 67      | 532 10 69-32 | Knob Rd 3/8-16 Plstc Thds Blk  |
| 13      | 532 13 76-45 | Shaft Asm W/Lower Bearing          | 68      | 532 18 02-15 | V-Belt Mower   |
| 14      | 532 12 87-74 | Housing Mandrel Vented (Machd)     | 142     | 532 16 58-90 | Arm Spring Brake Mower   |
| 15      | 532 11 04-85 | Bearing Ball Mandrel               | 143     | 532 15 71-09 | Bracket Arm Idler 42"  |
| 16      | 532 17 44-93 | Stripper Round Mower               | 144     | 532 15 86-34 | Keeper Belt 42" Clutch Cable   |
| 18      | 872 14 05-05 | Bolt Carr 5/16-18 x 5/8            | 145     | 532 16 58-88 | Pulley Idler Flat  |
| 19      | 532 13 28-27 | Bolt Shoulder                      | 146     | 532 17 19-77 | Bolt Carriage Idler  |
| 20      | 532 15 97-70 | Baffle Vortex 42"                  | 147     | 532 17 97-48 | Spring Extension   |
| 21      | 873 68 05-00 | Nut Crown Lock 5/16-18             | 148     | 532 16 90-22 | Spring Return Idler  |
| 23      | 532 17 75-63 | Bracket Deflector Mower 42"        | 149     | 532 16 58-98 | Retainer Spring Yellow   |
| 24      | 532 10 53-04 | Cap Sleeve 80 x 112 Blk Mower      | 150     | 819 09 12-16 | Washer 9/32 x 3/4 x 16 Ga.   |
| 25      | 532 12 37-13 | Spring Torsion Deflector 2 52      | 152     | 532 18 15-55 | Clutch Cable 42"   |
| 26      | 532 11 04-52 | Nut Push Phos & Oil                | 158     | 817 72 04-08 | Screw Hex Thd Cut 1/4-20 x 1/2   |
| 27      | 532 17 18-59 | Shield Deflector Mower 42"         | 159     | 872 14 06-14 | Bolt Rdhd Sqn 3/8-16 unc x 1-3/4   |
| 28      | 819 11 10-16 | Washer 11/32 x 5/8 x 16 Ga.        | 184     | 819 13 14-10 | Washer 13/32 x 7/8 x 10 Ga.  |
| 29      | 532 13 14-91 | Rod Hinge 42" 6 75 Wlg             | 185     | 532 18 82-34 | Head Asm. Cable Clutch   |
| 30      | 532 17 39-84 | Screw Thdrol                       | --      | 532 18 19-25 | Replacement Mower, Complete  |
| 31      | 532 18 76-90 | Washer Spacer                      | --      | 532 13 07-94 | Mandrel Asm. (Includes Housing,<br>Shaft and Shaft Hardware Only<br>- Pulley Not Included) |
| 32      | 532 15 35-35 | Pulley Mandrel 42/44/50            |         |              |  |
| 33      | 532 17 83-42 | Nut Top Lock Flng                  |         |              |  |
| 34      | 872 11 06-12 | Bolt Carr. Sh 3/8-16 x 1-1/2 Gr. 5 |         |              |  |
| 36      | 532 13 14-94 | Pulley Idler Flat 3 060            |         |              |  |
| 40      | 873 90 06-00 | Nut Lock Flg 3/8-16 unc            |         |              |  |
| 44      | 532 14 00-88 | Guard Mandrel LH Black             |         |              |  |

**NOTE:** All component dimensions given in U.S. inches  
1 inch = 25.4 mm

# TRACTOR - - MODEL NUMBER P135107 (P135107A), PRODUCT NO. 964 77 17-01 SCHEMATIC

